



Table of Contents

1	TITLE PAGE
2	NOTES
3	SENSOR - TSS_SUPPORT

Revisions

Rev	Description	Date	Approved
A	First release	19-Jan-10	P. Lajsner



Microcontroller Solutions Group

6501 William Cannon Drive West
Austin, TX 78735-8598

This document contains information proprietary to Freescale Semiconductor and shall not be used for engineering design, procurement or manufacture in whole or in part without the express written permission of Freescale Semiconductor.

ICAP Classification: FCP: FIUO: X PUBL:

Designer:
Petr Gargulak

Drawing Title:

TWRPI-TSS

Drawn by:
Petr Gargulak

Page Title:

TITLE PAGE

Approved:
Clark Jarvis

Size
A

Document Number

SCH-26467 PDF: SPF-26467

Rev
A

Date: Tuesday, January 19, 2010

Sheet 1 of 3

NOTES:

D

D

C

C

B

B

A

A



ICAP Classification: FCP: ___ FIUO: X PUBL: ___

Drawing Title:

TWRPI-TSS

Page Title:

NOTES

Size
A

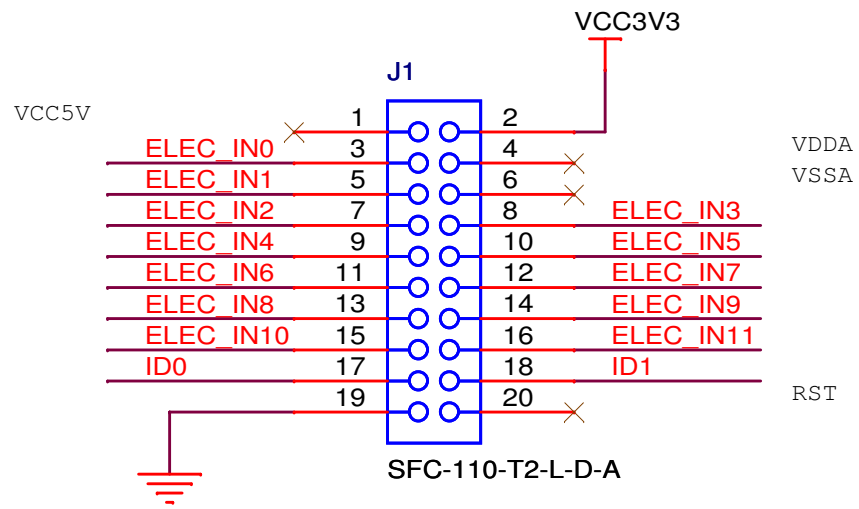
Document Number

SCH-26467 PDF: SPF-26467

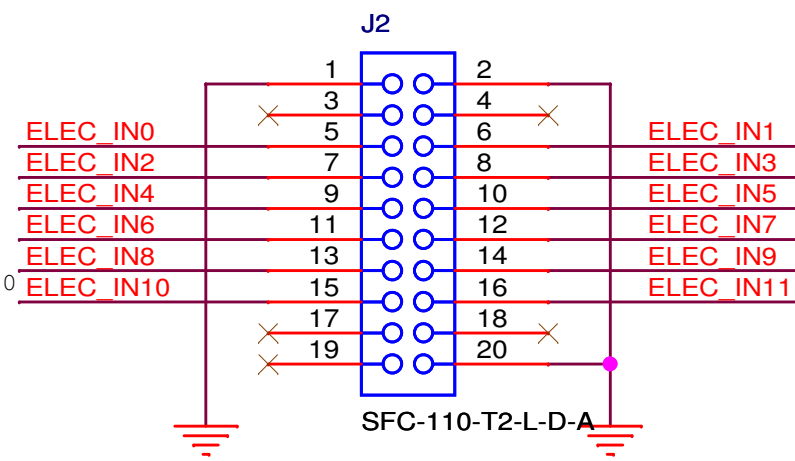
Rev
A

Date: Thursday, January 14, 2010

Sheet 2 of 3

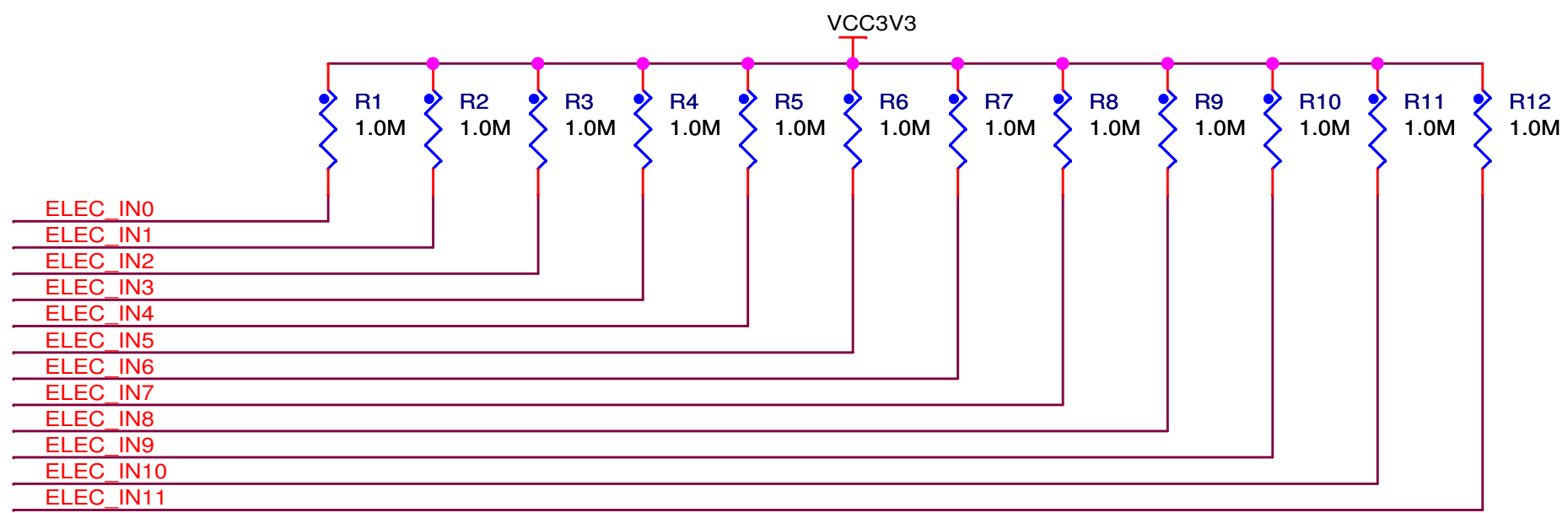


SCL
ELEC_OUT0
ELEC_OUT2
ELEC_OUT4
ELEC_OUT6
ELEC_OUT8
ELEC_OUT10
GPIO0IRQ
GPIO2



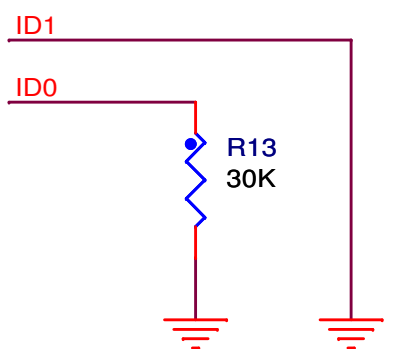
SDA
ELEC_OUT1
ELEC_OUT3
ELEC_OUT5
ELEC_OUT7
ELEC_OUT9
ELEC_OUT11
GPIO1

Module 'C'



PullUp's resistor for TSS Lib

ID0= 75%, ID1 = 0%



Board ID



ICAP Classification: FCP:___ FIUO: X PUBI:___		
Drawing Title: TWRPI-TSS		
Page Title: SENSOR - TSS_SUPPORT		
Size A	Document Number SCH-26467 PDF: SPF-26467	Rev A
Date: Tuesday, January 19, 2010	Sheet 3 of 3	