

Revisions			
Rev	Description	Date	Approved
A	Prototype Release	AUG-3-2017	Oliver Culie
B	DNP components	JUL-10-2018	Oliver Culie

KIT33813AEEVBE

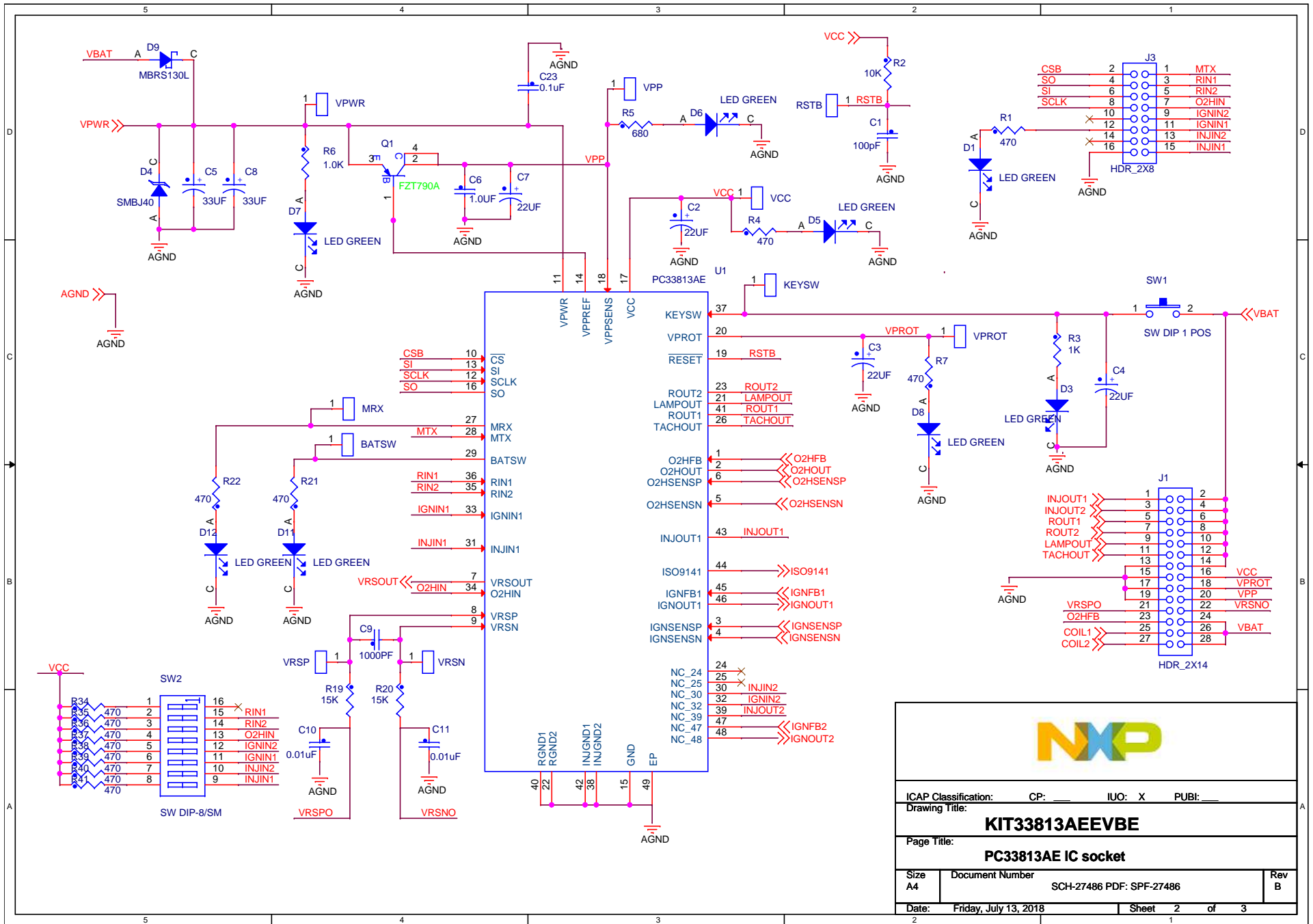


Automotive, Industrial & Multi-market Solutions Group
 6501 William Cannon Drive West
 Austin, TX 78735-8598

This document contains information proprietary to NXP and shall not be used for engineering design, procurement or manufacture in whole or in part without the express written permission of NXP Semiconductors.

ICAP Classification: CP: _____ IUO: X PUBI: _____

Designer: Oliver Culie	Drawing Title: KIT33813AEEVBE		
Drawn by: Oliver Culie	Page Title: TITLE PAGE		
Approved: Ana Sanz	Size A4	Document Number SCH-27486 PDF: SPF-27486	Rev B
Date: Friday, July 13, 2018		Sheet 1 of 3	



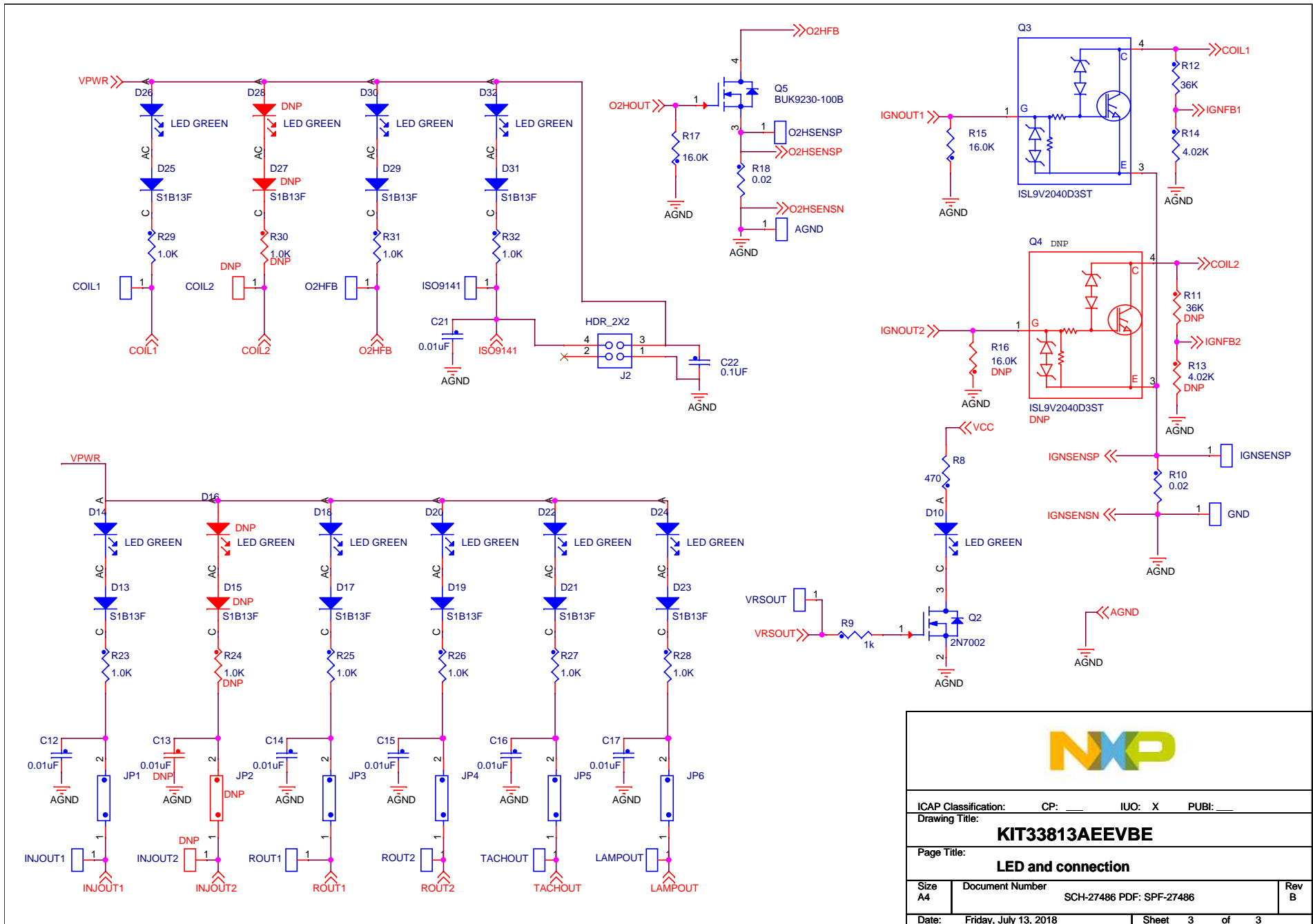
NXP

ICAP Classification: CP: ___ IUO: X PUBL: ___

Drawing Title: **KIT33813AEEVBE**

Page Title: **PC33813AE IC socket**

Size A4	Document Number SCH-27486 PDF: SPF-27486	Rev B
Date: Friday, July 13, 2018	Sheet 2	of 3



ICAP Classification: CP: ___ IUO: X PUBI: ___		
Drawing Title:		
KIT33813AEEVBE		
Page Title:		
LED and connection		
Size A4	Document Number SCH-27486 PDF: SPF-27486	Rev B
Date: Friday, July 13, 2018	Sheet 3 of 3	