



Table of Contents

1	TITLE PAGE
2	NOTES
3	SENSOR - 12KEYS TOUCHPAD

Revisions

Rev	Description	Date	Approved
A	First release	19-Jan-10	P.Lajsner



Microcontroller Solutions Group

6501 William Cannon Drive West
Austin, TX 78735-8598

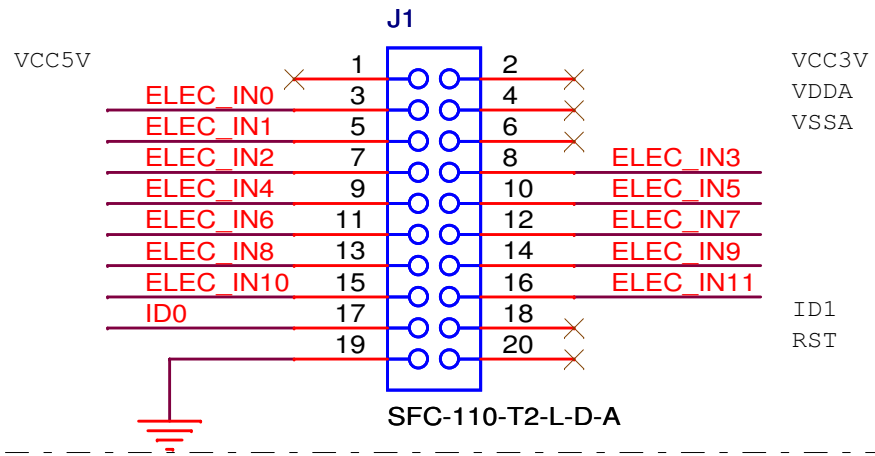
This document contains information proprietary to Freescale Semiconductor and shall not be used for engineering design, procurement or manufacture in whole or in part without the express written permission of Freescale Semiconductor.

ICAP Classification: FCP: FIUO: X PUBL:

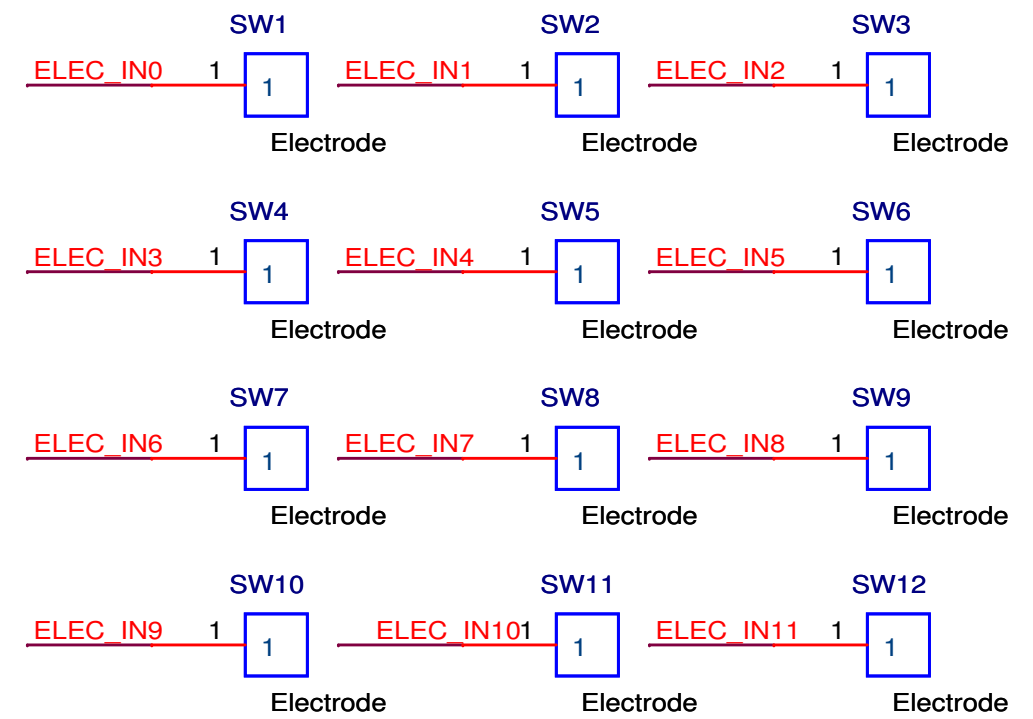
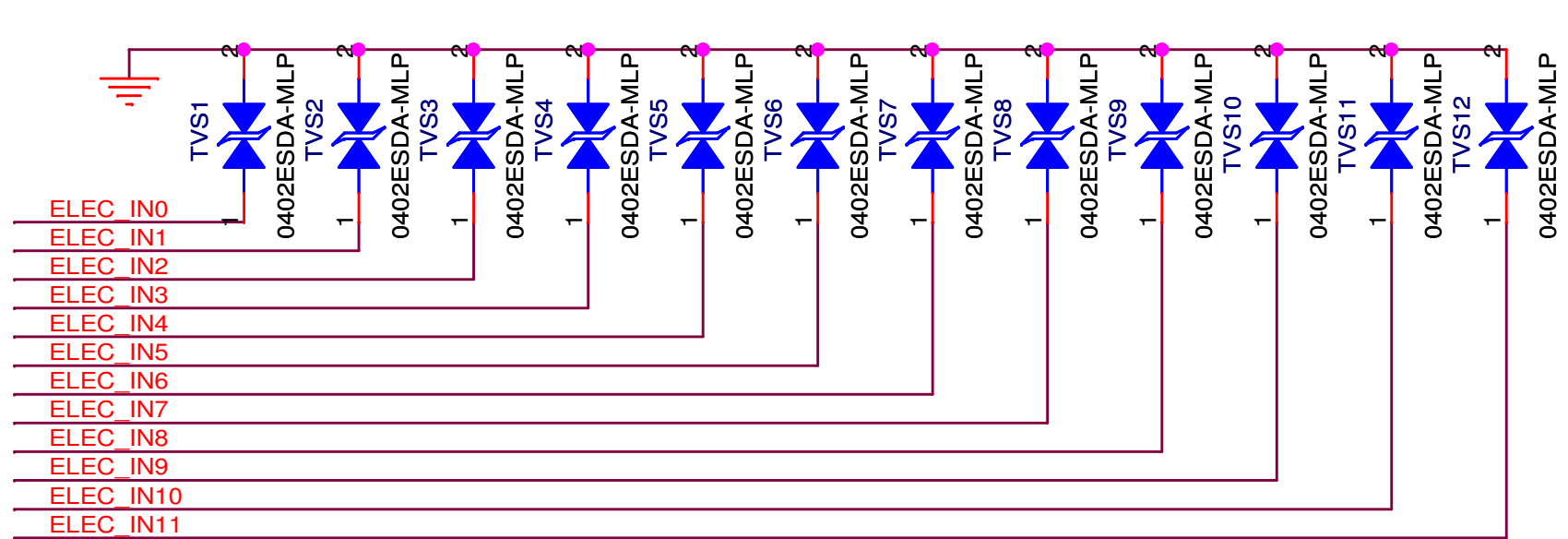
Designer: Petr Gargulak	Drawing Title: TWRPI-KEYPAD		
Drawn by: Petr Gargulak	Page Title: TITLE PAGE		
Approved: Clark Jarvis	Size A	Document Number SCH-26468 PDF: SPF-26468	Rev A
Date: Tuesday, January 19, 2010		Sheet 1 of 3	

NOTES:

ICAP Classification: FCP: ___ FIUO: X PUBL: ___		
Drawing Title: TWRPI-KEYPAD		
Page Title: NOTES		
Size A	Document Number SCH-26468 PDF: SPF-26468	Rev A
Date:	Thursday, January 14, 2010	Sheet 2 of 3

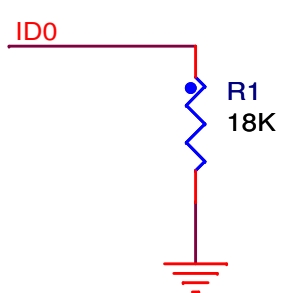


Module 'D'



12 Keys Touchpad

ID0= 62.5%, ID1 = 100%



Board ID

freescale™
semiconductor

ICAP Classification: FCP:___ FIUO: X PUBL:___

Drawing Title: **TWRPI-KEYPAD**

Page Title: **SENSOR - 12KEYS TOUCHPAD**

Size A	Document Number SCH-26468 PDF: SPF-26468	Rev A
--------	------------------------------------------	-------

Date: Tuesday, January 19, 2010 Sheet 3 of 3