



Table of Contents

1	TITLE PAGE
2	NOTES
3	SENSOR - MPR121

Revisions

Rev	Description	Date	Approved
A	First release	19-Jan-10	P.Lajsner



Microcontroller Solutions Group

6501 William Cannon Drive West
Austin, TX 78735-8598

This document contains information proprietary to Freescale Semiconductor and shall not be used for engineering design, procurement or manufacture in whole or in part without the express written permission of Freescale Semiconductor.

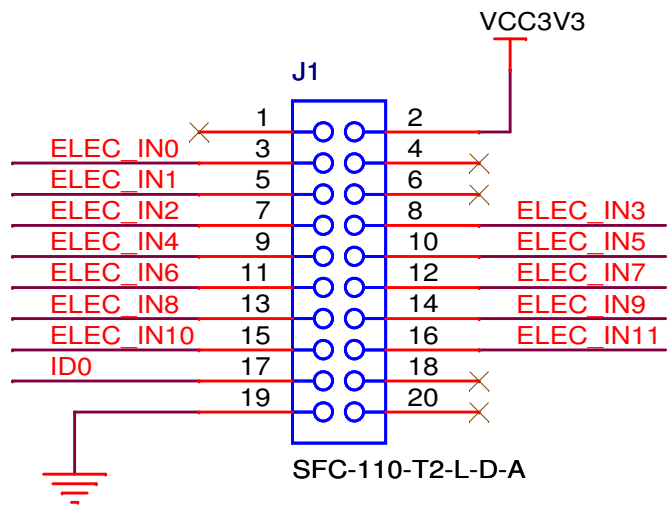
ICAP Classification: FCP: FIUO: X PUBL:

Designer: Petr Gargulak	Drawing Title: TWRPI-MPR121		
Drawn by: Petr Gargulak	Page Title: TITLE PAGE		
Approved: Clark Jarvis	Size A	Document Number SCH-26466 PDF: SPF-26466	Rev A
Date: Tuesday, January 19, 2010		Sheet 1 of 3	

NOTES:

ICAP Classification: FCP: ___ FIUO: X PUBL: ___		
Drawing Title: TWRPI-MPR121		
Page Title: NOTES		
Size A	Document Number SCH-26466 PDF: SPF-26466	Rev A
Date:	Thursday, January 14, 2010	Sheet 2 of 3

VCC5V

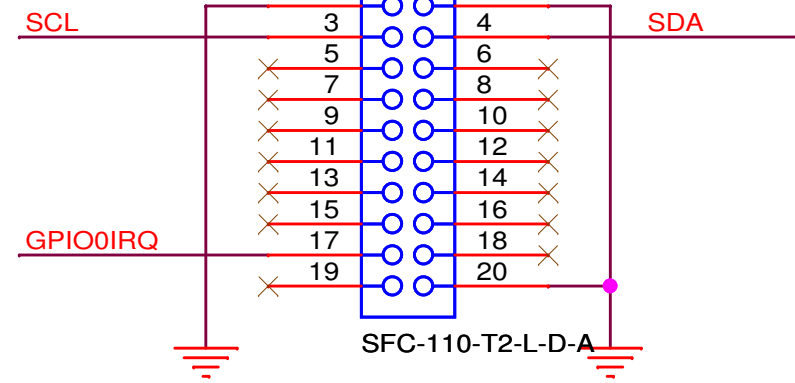


VDDA
VSSA

ID1
RST

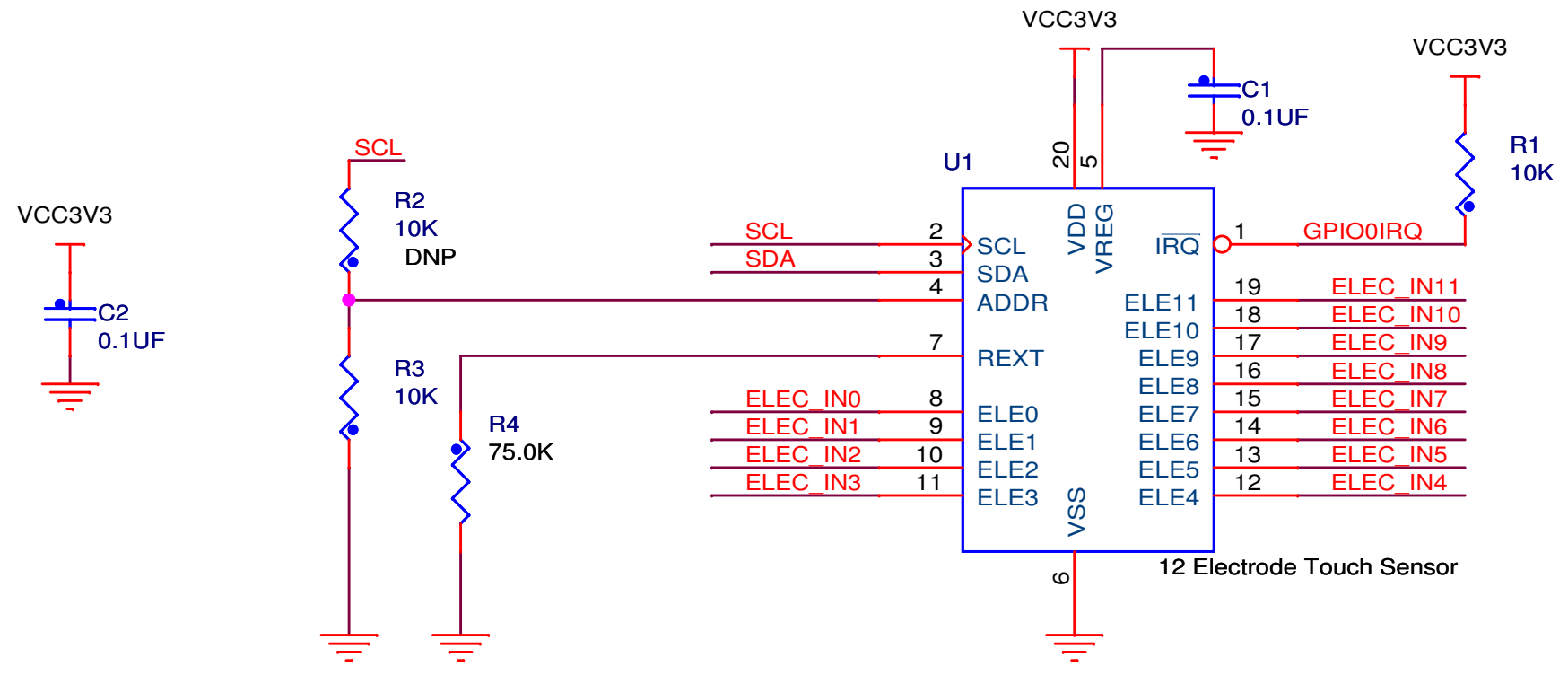
ELEC_OUT0
ELEC_OUT2
ELEC_OUT4
ELEC_OUT6
ELEC_OUT8
ELEC_OUT10

GPIO2



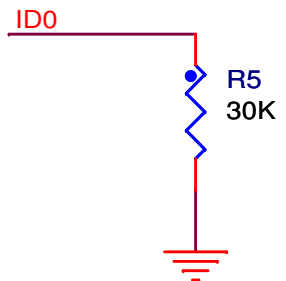
ELEC_OUT1
ELEC_OUT3
ELEC_OUT5
ELEC_OUT7
ELEC_OUT9
ELEC_OUT11
GPIO1

Module 'C'



Sensor MPR121

Id1 signal is not connected
to create combination : ID0
= 75%, ID1 = 100%



Board ID

ICAP Classification: FCP:___ FIUO: X PUBI:___

Drawing Title:
TWRPI-MPR121

Page Title:
SENSOR - MPR121

Size A	Document Number SCH-26466 PDF: SPF-26466	Rev A
-----------	---	----------

Date: Tuesday, January 19, 2010 Sheet 3 of 3